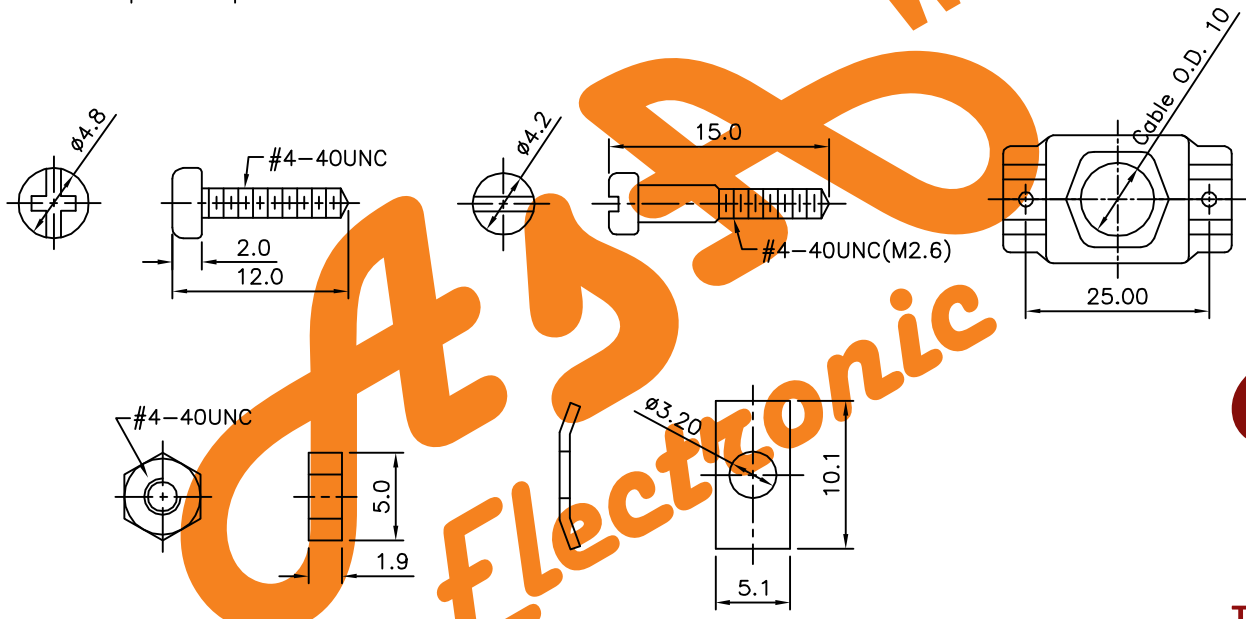
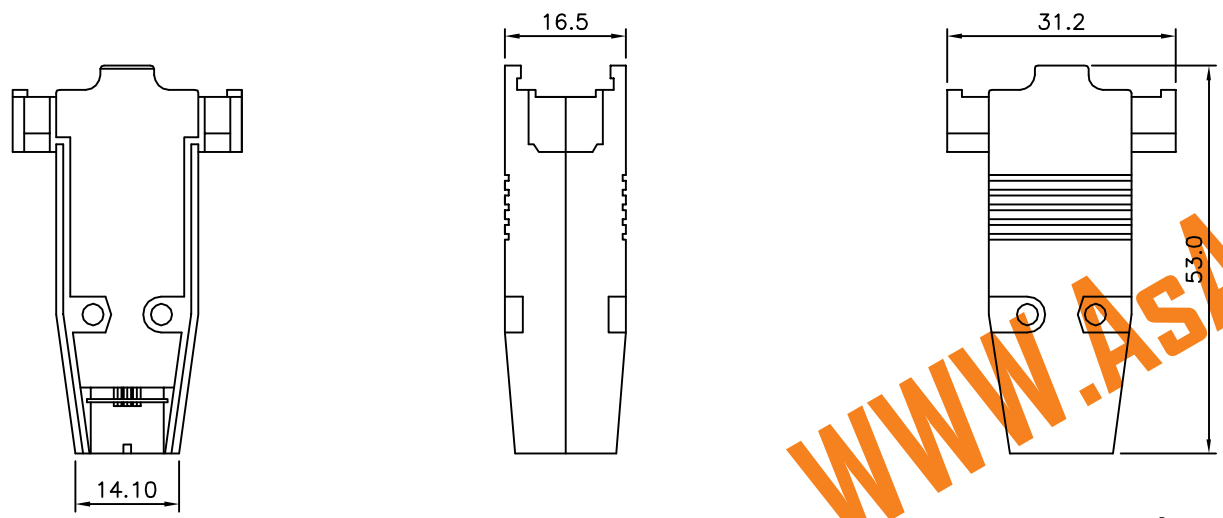


SPECIFICATION
 Shell: Zinc Alloy, Chromate Plated
 Accessories(2 PCS/Set): Steel, Nickel Plated Over All
 RoHS Compliant



WWW.AsA-Elec.com

AsA Electronic Co.

Tel : (+98) 21 66 73 56 82 Mob : (+98) 912 03 161 02

Telegram:09396994470

APPROVED BY EMILY		UNLESS OTHERWISE SPECIFIED TOLERANCES ARE X. ±0.5 X ±0.3 .XX ±0.2 ANG. ±5°									
			CHECKED BY HZF								
			DRAWING BY SONG								
SCALE	NONE	REV.	A0	UNIT mm				A0	NEW RELEASE	HZF	01/20/2011
						NO. REV.		REVISIONS		CHK	DATE